












1720

Medium Duty Window Wiper

Ideal for low speed vessels with small windows

-  A compact unit
-  Pantograph and pendulum
-  Arms with blades up to 24ins. (610mm) are available
-  Fixed arc or variable arc models
-  12 and 24 volt DC
-  Two speeds
-  Self parking facility
-  Insulated earth return and EMC filter are standard
-  Operated by various controls including a rotary switch, toggle switch, rocker switch or a multi-speed / function control system

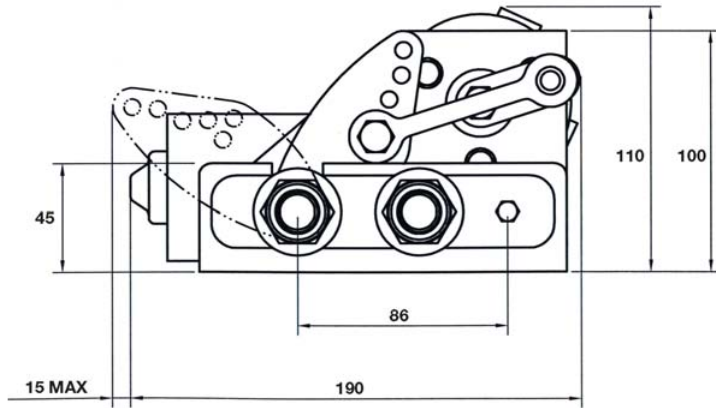




Wynn Type 1720

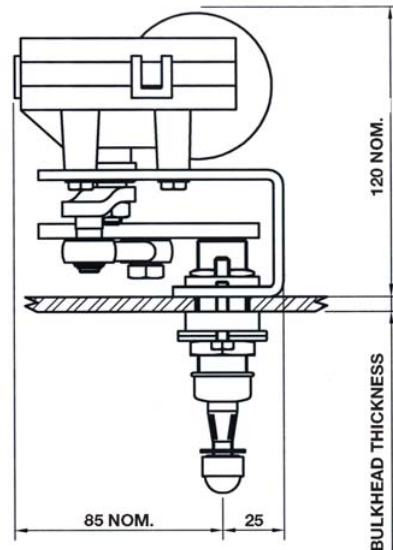
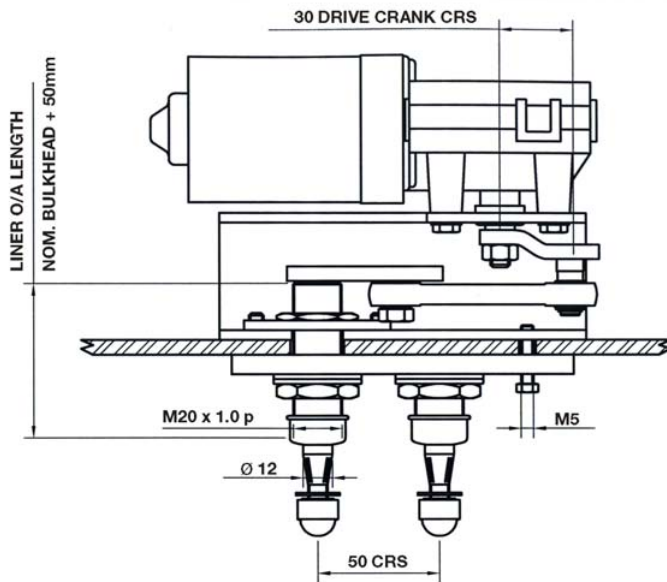
Medium Duty Window Wiper

Ideal for low speed vessels with small windows



Specifications

Standard Details	2 Speed; Self Parking; Insulated Earth Return; 12v and 24v
Angles of Arc	Variable - at stated angles
Pantograph Units	40°, 50°, 60°, 70°, 80°, 90°
Pendulum Units	40°, 50°, 60°, 70°, 80°, 90°
Spindle Centres	Between Drive Liner & Idler = 50mm
Drive Liner	M20 - Brass Liner / 12mm SS Spindle
Liner Overall Length	Bulkhead Thickness + 65mm
Idler Liner	M20 - Brass Liner / 12mm SS Spindle
Bracket	No notation used for Bracket
Unit Weight	Allowing for the maximum arm and blade lengths; 3.5Kgs (7.7 lbs)



Wiper Arms and Blades

■ Pantograph Arms

P613	Medium Duty
Lengths	12" to 24" (310mm to 610mm) nom
Drive Head	12mm
Blade Clip	14mm

■ Pendulum Arms

F63	Medium Duty
Lengths	12" to 28" (310mm to 710mm) nom
Drive Head	12mm
Blade Clip	14mm

■ Blades

B140	Curved Blade
Lengths	12" to 24" (310mm to 610mm) nom
For use with arm types:	
Pendulum	F63
Pantograph	P614



In-Mar Solutions, LLC

Ph: (225) 644-7063 Fax: (225) 644-7046

Email: info@inmarsolutions.com

Web: www.inmarsolutions.com