

alu  
Be seated.

 **In-Mar Systems**  
**In-Mar Solutions**

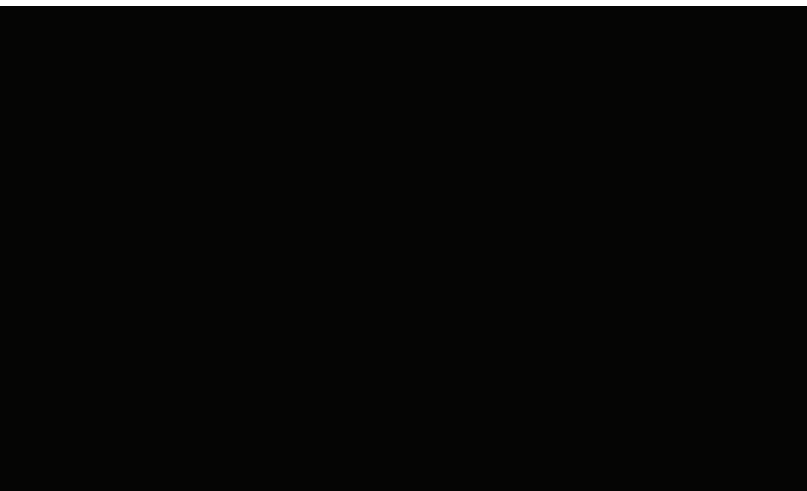
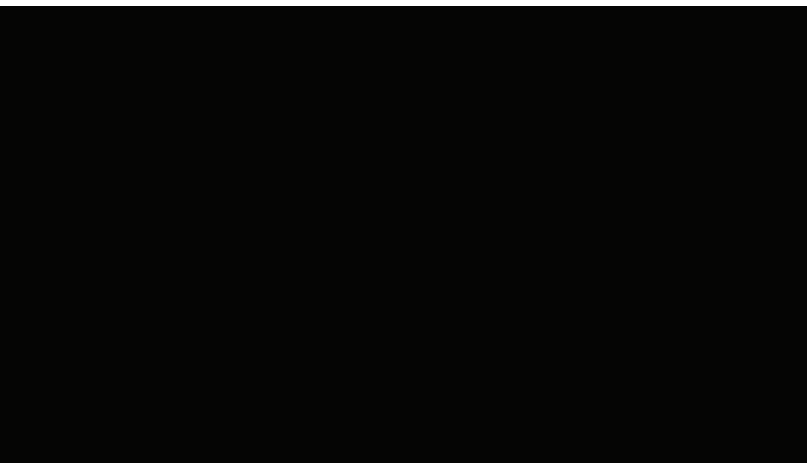
**PRODUCT GUIDE**



Built to perform, built to last

## **CHAIRS**

4-5	GENERAL OVERVIEW OF CHAIRS
6-7	S5-300
8-9	S5-OPL
10-11	S5-OP50
12-13	S12
14-15	ALUTECH 600
16-17	OVERVIEW BACKREST & ARMREST, SPECIFICATIONS
18-19	ALUTECH 200 LOW
20-21	ALUTECH 200
22-23	OP 10
24-25	OPL
26-27	OP 50
28-29	S5-OP01
30-31	OP 01
32-33	3000 FC



## ***DECK RAILS***

- 34 ALUTECH 3200 / 3400 SURFACE MOUNT
- 35 ALUTECH 3300 / 3500 FLUSH MOUNT
- 36 ALUTECH 4000 SURFACE MOUNT
- 37 ALUTECH 4100 FLUSH MOUNT
- 38 ALUTECH 3900 SURFACE MOUNT
- 39 ALUTECH 3950 FLUSH MOUNT
- 40 ALUTECH 3800 / 3800-H FLUSH MOUNT

41-43 ***ACCESSORIES & BESPOKE SOLUTIONS***

44-47 ***MISCELLANEOUS INFORMATION***

ALUTECH 200 LOW



ALUTECH 200



ALUTECH 300



ALUTECH 600



OP 600



OP 12



ALUTECH 600-5



ALUTECH 200 FLATBACK



ALUTECH 400 FLATBACK



OP 01



S5 OP01



OP 1600



3000 FC





S5 300



S5 600



S5 600-5



S5 OPL



OPL



OP 50



S5 OP50



S12



# S 5 - 3 0 0

**alu**  
Be seated.



## DESIGN AND FEATURES

### Armrest

- Height adjustable and / or fixed armrests
- Flip back armrests
- Optional armrest attachments for control equipment and cup holders etc.

### Column

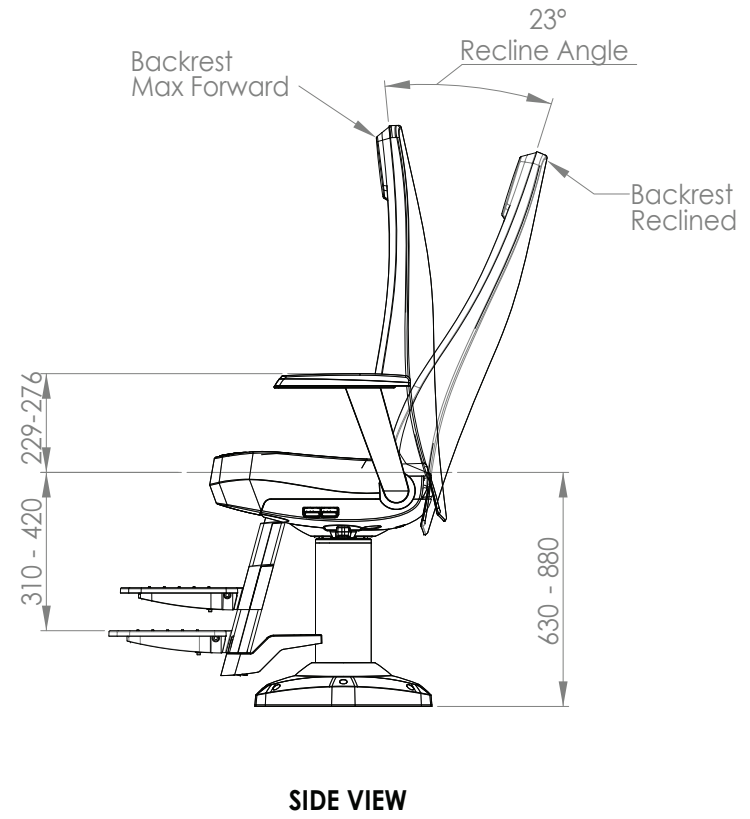
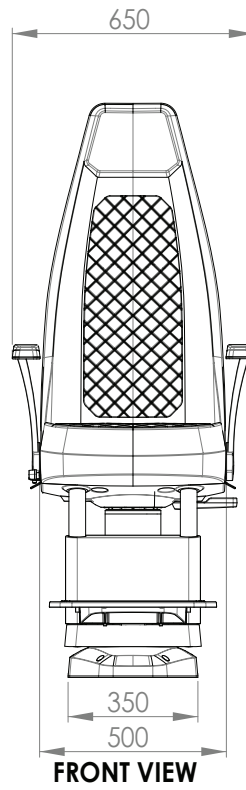
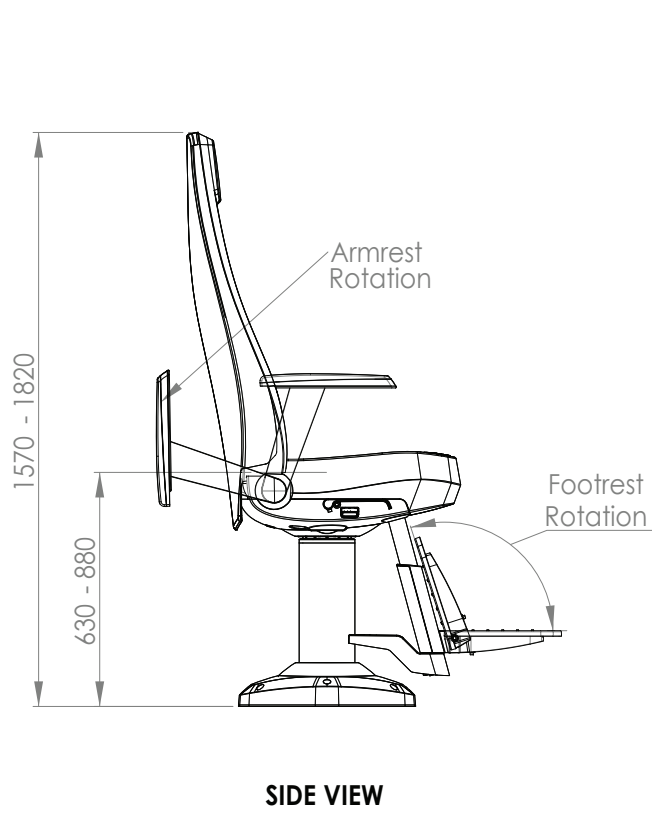
- Cable routing is possible through the chair and centre column
- Shock absorbing column

### Footrest

- Pneumatic height adjustment of footrest
- Fold up footrest
- Footrest rotates with chair and is supported by the column for stability

### S5-OPL Special Features

- *Hardback cover in high gloss black or grey. Optional colors available.*
- *Combination of genuine leather and Alcantara upholstery.*
- *Stitching with diamond shaped pattern in the sitting area"*



# S 5 - O P L

**alu**  
Be seated.



## DESIGN AND FEATURES

- Reclining back rest

### **Armrest**

- Flip back armrest
- Adjustable armrest top
- Optional armrest widths and attachments for control equipment

and cup holders etc

- 355° rotation and locks in any position

### **Column**

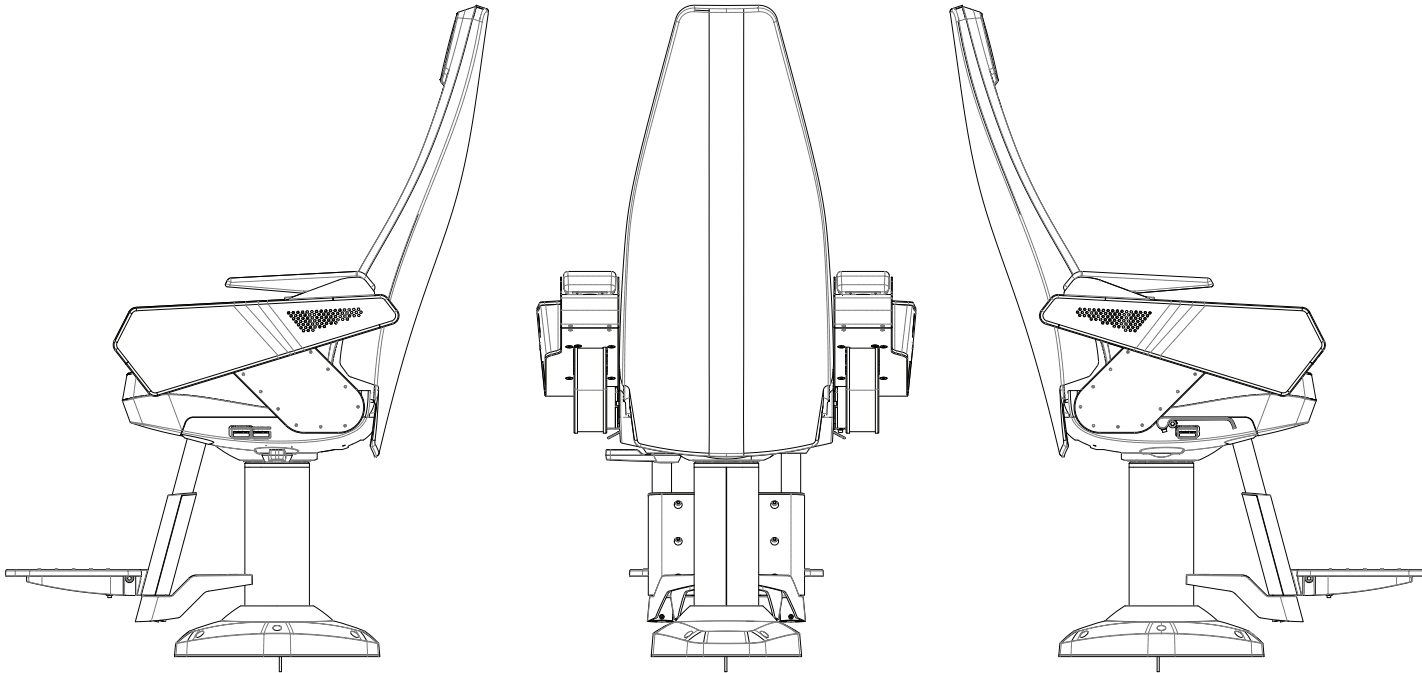
- Pneumatic adjustment of sitting height
- Shock absorbing base

### **Footrest**

- Pneumatic height adjustment of footrest
- Fold up footrest
- Footrest rotates with chair and is supported by the column for stability

### **S5-OPL Special Features**

- *Hardback cover in high gloss black or grey. Optional colors available.*
- *Combination of genuine leather and Alcantara upholstery.*
- *Stitching with diamond shaped pattern in the sitting area"*



**OPTIONAL CABLE TOWER**



**HARDBACK COVER WITH  
HIGH GLOSS COLOUR**



**MISC PAD/MONITOR HOLDERS**

Operator chair	Sitting height	Max width	Chair weight	Footrest
OPL 620	420 - 490mm	880mm	50 kg	
OPL 625	550 - 750mm	880mm	56 kg	x
OPL 630	630 - 880mm	880mm	57 kg	x
OPL 640	730 - 980mm	880mm	59 kg	x
OPL 650	830 -1030mm	880mm	60 kg	x

# S 5 - O P 5 0

**alu**  
Be seated.



- OP 50 & OP 60 is an "all in" chair suitable for DP, ROV, crane or other demanding operations. The armrests are made according to customer requirements.
- The OP chairs are el operated and are suitable either as "stand alone" units or installed on Alutech electric operated deck rails.

## DESIGN AND FEATURES

- Reclining back rest

### **Armrest**

- Adjustable armrest top
- Armrests are prepared for control equipment with cable routing through the arm, seat and center column

### **Column**

- Electrical adjustment of sitting height

### **Footrest**

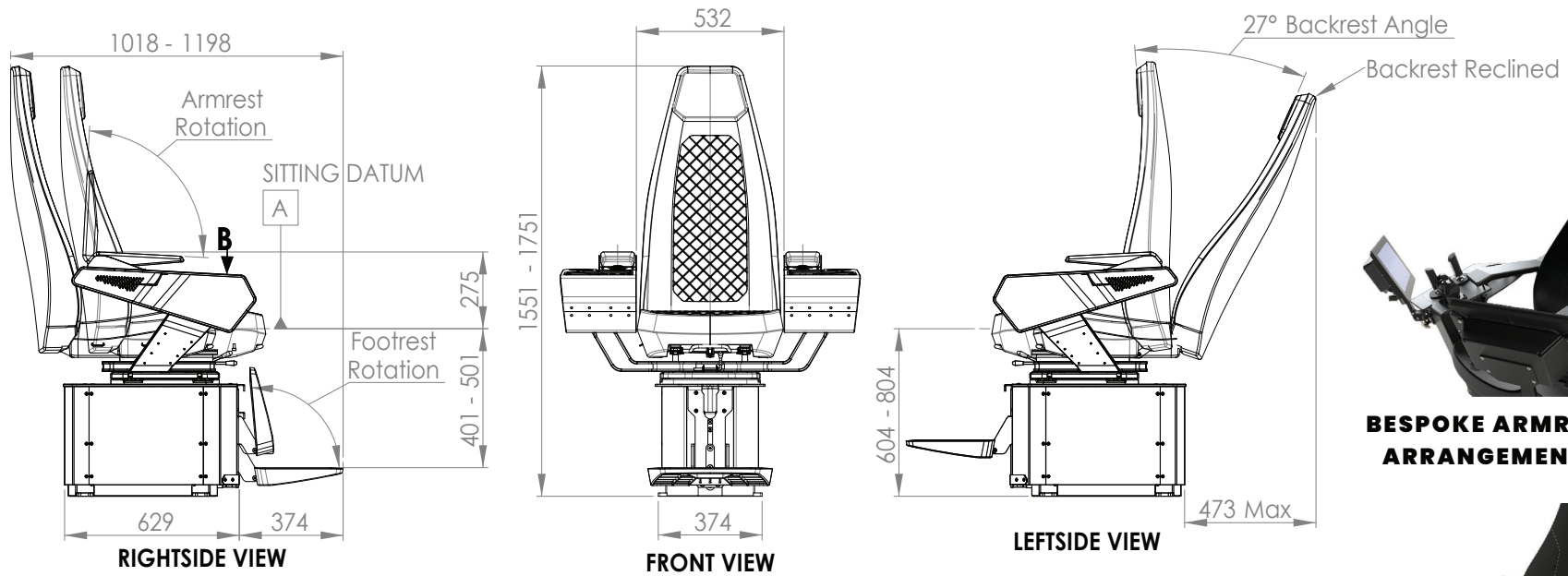
- Fold up footrest

- Seat slide available
- Concealed and protected cabling
- No welded parts
- Seat rotation
- **24V / 20 Amp**

### **S5-OPL Special Features**

- *Hardback cover in high gloss black*
- *Optional colors available.*
- *Combination of genuine leather and Alcantara upholstery*





**OP 50 & OP 60 ARE IDENTICAL, BUT WITH A DEEPER ARMTREST ON OP 60.**



**BESPOKE ARMTREST ARRANGEMENTS**



**SUFFICIENT SPACE FOR CONTROLS**

Operator chair	Sitting height	Max width	Chair weight	Footrest	HSC
OP 50	630 - 830mm	1082mm	118 kg	x	
OP 60	630 - 830mm	1082mm	122 kg	x	

# S 1 2

**alu**  
Be seated.



## DESIGN AND FEATURES

- Combination of genuine leather upholstery with hard backrest cover

### Armrest

- Upholstered armrest

### Column

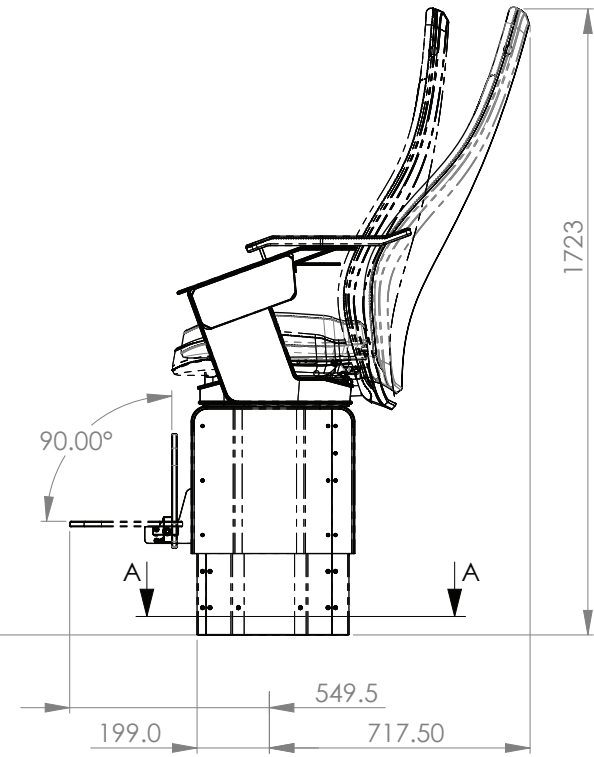
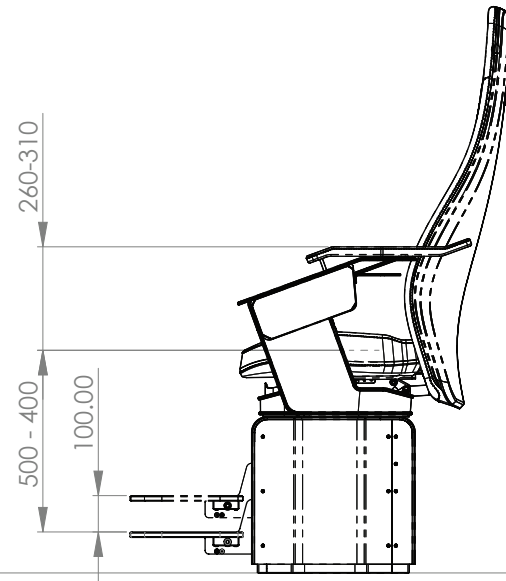
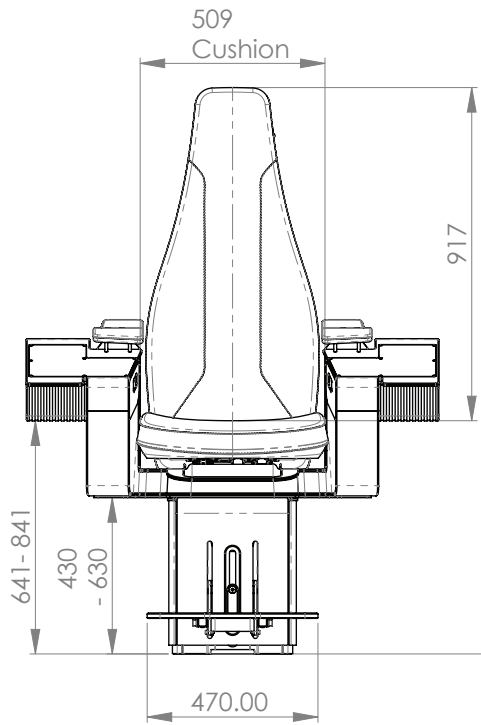
- Electric recline
- Optional electric tilt of seat

- Electric rotation
- Electric adjustment of sitting height

### Footrest

- Electric height adjustment of footrest
- Fold-up footrest

- Optional seat slide
- Optional 6-way electric adjustable chassis
- 3 optional armrest sizes for installation of armrest mounted equipment.
- Concealed and protected cable management
- Electric operated deck rails arranged for cable management
- **24V / 20 Amp**



# ALUTECH 600

**alu**  
Be seated.



■ Approved 12g according to HSC, 2000 - Annex 10

## DESIGN AND FEATURES

### Armrest

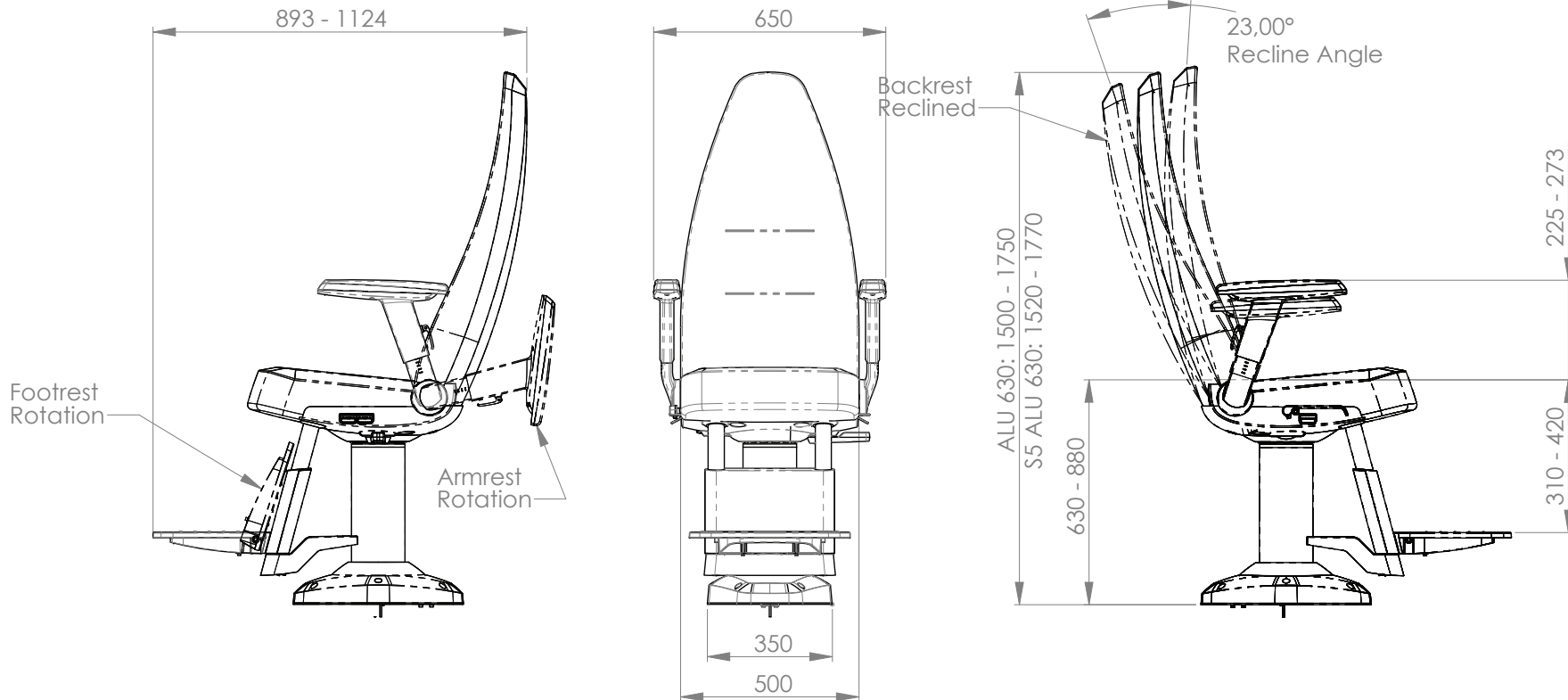
- Height adjustable and / or fixed armrests
- Flip back armrests
- Optional armrest attachments for control equipment and cup holders etc.

### Column

- Cable routing is possible through the chair and centre column
- Shock absorbing column

### Footrest

- Pneumatic height adjustment of footrest
- Fold up footrest
- Footrest rotates with chair and is supported by the column for stability



## BACKREST OPTIONS

**alu**  
Be seated.



**ALUTECH 300/ 600/ 600-5**



**ALUTECH 400/ 500**



**OP 300/ 600/ 600-5**



**S5**

## ARMREST OPTIONS

### FIXED HEIGHT



**ALUTECH 300/ 400 & OP 300**

### ADJUSTABLE HEIGHT



**ALUTECH 500/ 600-5 & OP 600-5**

### ADJUSTABLE HEIGHT



**ALUTECH 600 & OP 600**



**OPL**



# SPECIFICATIONS



	Article number	Sitting height	Max width	Chair weight	Footrest	Office base (option)	Flatback (option)	HSC
ALUTECH, S5 OP 300/400/500 & 600	320(420)	420 - 490mm	650mm	41(43) kg			Alutech 460	x
	325(425)	550 - 750mm	650mm	47(49) kg	x	x	Alutech 465	x
	330(430)	630 - 880mm	650mm	48(50) kg	x	x	Alutech 470	x
	340(440)	730 - 980mm	650mm	49(51) kg	x	x	Alutech 480	x
	350(450)	830 -1030mm	650mm	50(52) kg	x	x	Alutech 490	x
	620	420 - 490mm	650mm	41(43) kg				x
	625	550 - 750mm	650mm	47(49) kg	x	x		x
	630	630 - 880mm	650mm	48(50) kg	x	x		x
	640	730 - 980mm	650mm	49(51) kg	x	x		x
	650	830 -1030mm	650mm	50(52) kg	x	x		x
ALUTECH, S5 OP 300/400/500 & 600	620-5 (520)	420 - 490mm	710mm	43(43) kg			Alutech 560	x
	625-5 (525)	550 - 750mm	710mm	49(49) kg	x	x	Alutech 565	x
	630-5 (530)	630 - 880mm	710mm	50(50) kg	x	x	Alutech 570	x
	640-5 (540)	730 - 980mm	710mm	52(52) kg	x	x	Alutech 580	x
	650-5 (550)	830 -1030mm	710mm	53(53) kg	x	x	Alutech 590	x

SPECIFICATIONS

# ALUTECH 200 LOW

alu  
Be seated.



## DESIGN AND FEATURES

- Reclining backrest

### **Armrest**

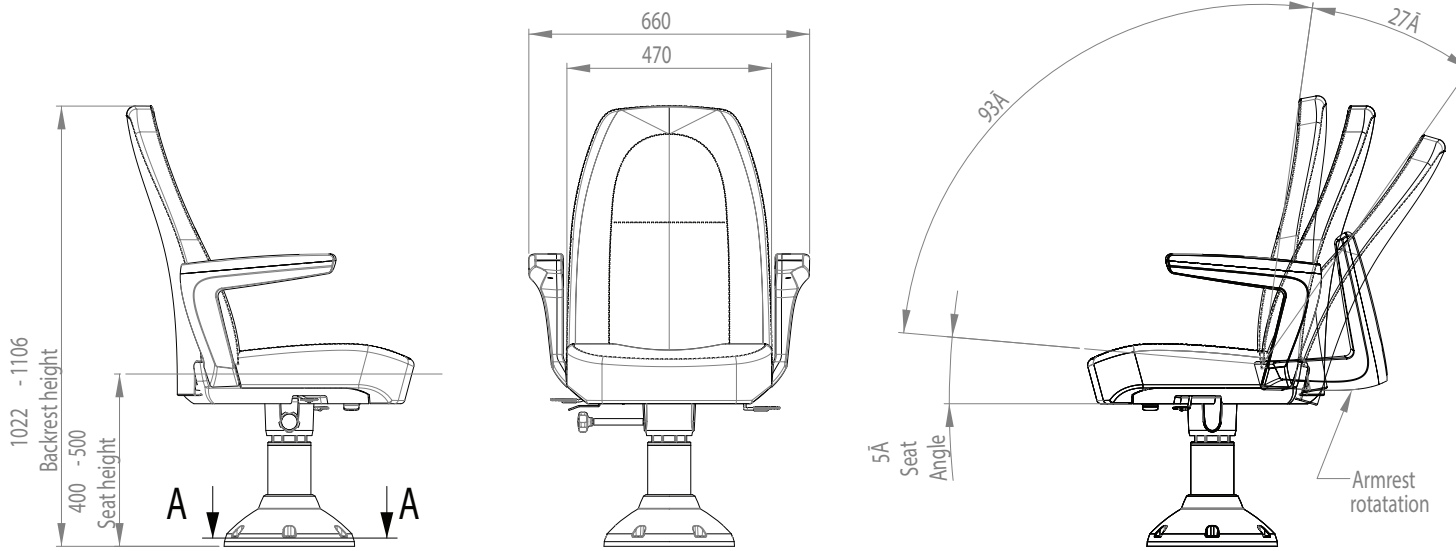
- Flip back armrests

### **Column**

- Shock absorbing column

### **Footrest**

- Fold up footrest
- Footrest rotates with chair and is supported by the column for stability



**OFFICE BASE**



**SEAT TOP ONLY**

Seat	Sitting Height	Max width	Chair weight	Footrest	Flatback	HSC
Alutech 220	400 - 500mm	660mm	25 kg		Alutech 265	x
Alutech 230	550 - 750mm	660mm	28 kg	x	Alutech 270	x
Alutech 240	650 - 850mm	660mm	29 kg	x	Alutech 280	x
Alutech 250	750 - 950mm	660mm	30 kg	x	Alutech 290	x
Alutech 260	850 - 1050mm	660mm	31 kg	x	Alutech 295	x

# ALUTECH 200

**alu**  
Be seated.



■ Approved 12g according to HSC, 2000 - Annex 10

## DESIGN AND FEATURES

- Reclining backrest

### **Armrest**

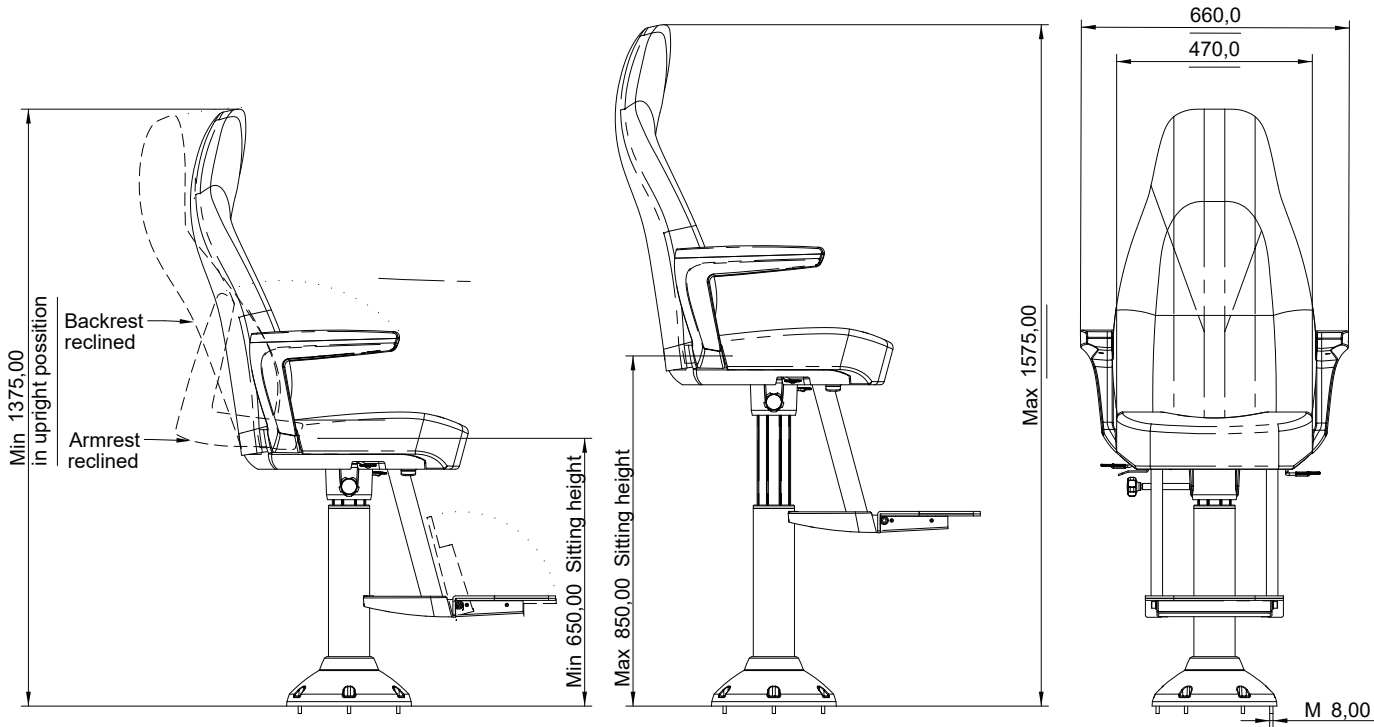
- Flip back armrests

### **Column**

- Shock absorbing column

### **Footrest**

- Fold up footrest
- Footrest rotates with chair and is supported by the column for stability



**OFFICE BASE**



**AVAILABLE AS FLATBACK**



**SEAT TOP ONLY**

Seat	Sitting Height	Max width	Chair weight	Footrest	Flatback	HSC
Alutech 220	400 - 500mm	660mm	25 kg		Alutech 265	x
Alutech 230	550 - 750mm	660mm	28 kg	x	Alutech 270	x
Alutech 240	650 - 850mm	660mm	29 kg	x	Alutech 280	x
Alutech 250	750 - 950mm	660mm	30 kg	x	Alutech 290	x
Alutech 260	850 - 1050mm	660mm	31 kg	x	Alutech 295	x



DESIGN AND FEATURES

- Reclining backrest

**Armrest**

- Flip back armrests

**Column**

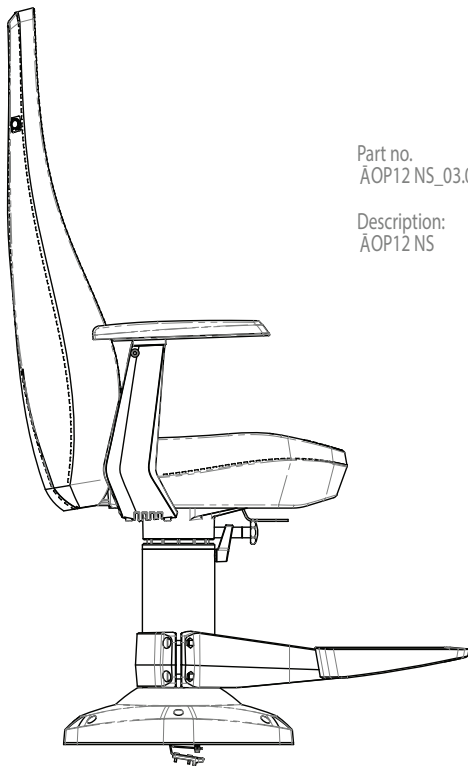
- Shock absorbing column
- Chair rotates 360° and locks in any position

**Footrest**

- With or without footrest
- Single or twin footrest
- Fold up footrest

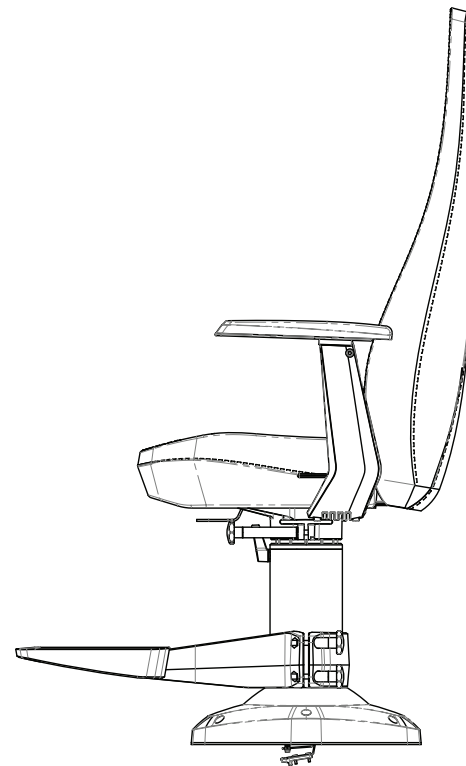
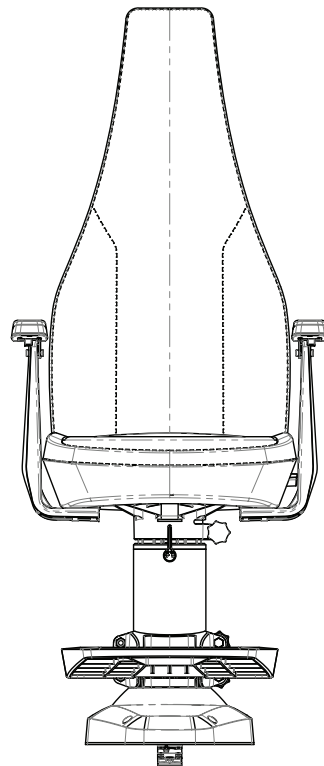
- Optional seat slide (max 110mm)



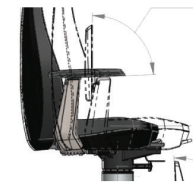


Part no.  
AOP12 NS\_03.0

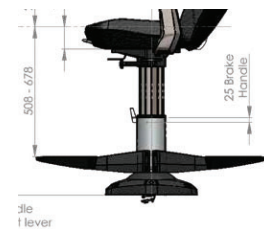
Description:  
AOP12 NS



**DECK RAIL RELEASE HANDLE UNDER SEAT**



**OPTIONAL SLIDE**



**TWIN FOOTREST OPTION**

Pilot chair	Sitting Height	Max width	Chair weight	Footrest	Twin footrest	Seat slide	HSC
OP 10	420 - 490mm	650mm	43 kg			optional	x
OP 11	550 - 750mm	650mm	49 kg	x	x	optional	x
OP 12	630 - 880mm	650mm	50 kg	x	x	optional	x



■ Approved 12g according to HSC, 2000 - Annex 10 (with 600 seat back)

## DESIGN AND FEATURES

- Reclining back rest

### **Armrest**

- Flip back armrest
- Adjustable armrest top
- Optional armrest widths and attachments for control equipment and cup holders etc

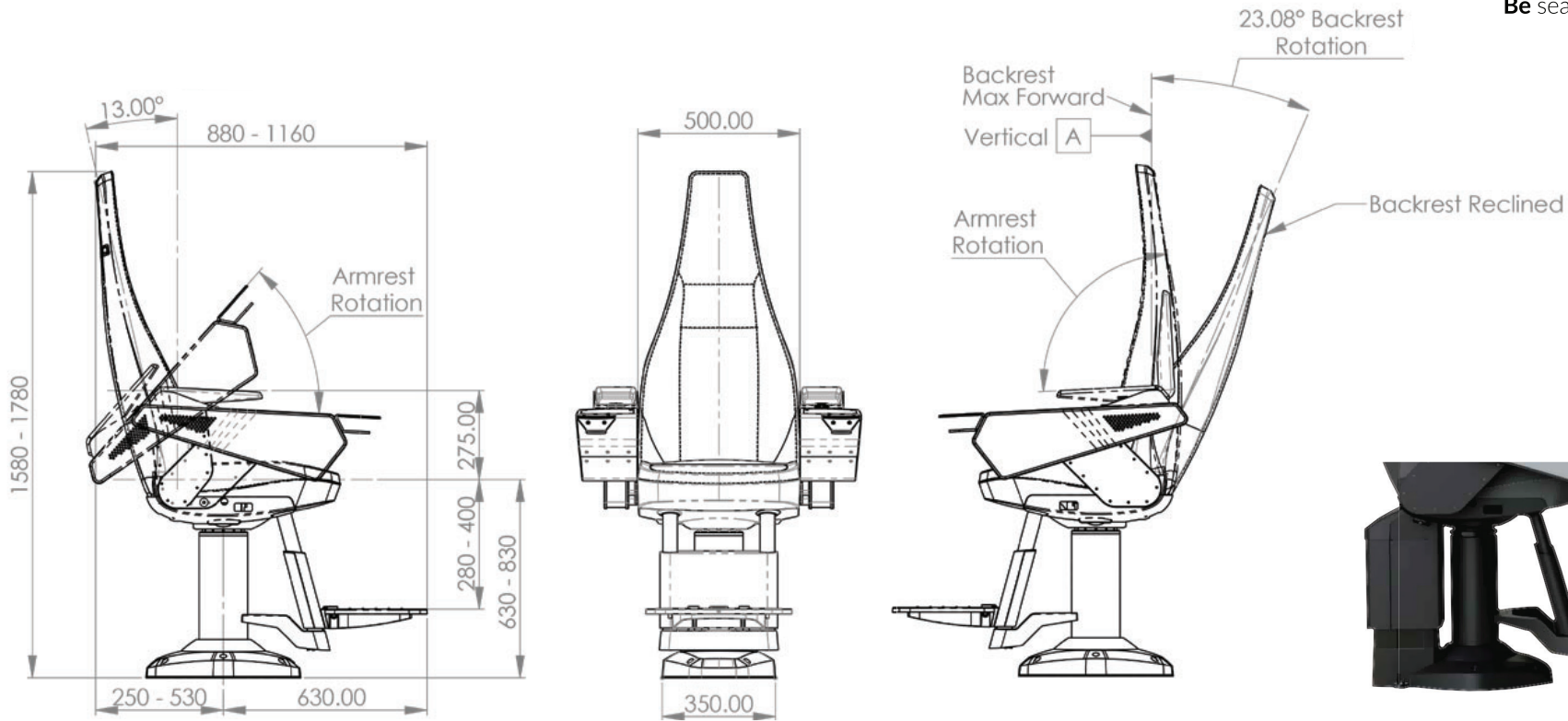
- 355° rotation and locks in any position

### **Column**

- Pneumatic adjustment of sitting height
- Shock absorbing base

### **Footrest**

- Pneumatic height adjustment of footrest
- Fold up footrest
- Footrest rotates with chair and is supported by the column for stability



**CABLE TOWER**



**MISC PAD/MONITOR HOLDERS**

Operator chair	Sitting height	Max width	Chair weight	Footrest
OPL 620	420 - 490mm	880mm	50 kg	
OPL 625	550 - 750mm	880mm	56 kg	x
OPL 630	630 - 880mm	880mm	57 kg	x
OPL 640	730 - 980mm	880mm	59 kg	x
OPL 650	830 - 1030mm	880mm	60 kg	x

# OP 50

**alu**  
Be seated.



- OP 50 & OP 60 is an "all in" chair suitable for DP, ROV, crane or other demanding operations. The armrests are made according to customer requirements.
- The OP chairs are electrically operated and are suitable either as "stand alone" units or installed on Alutech electric operated deck rails.

## DESIGN AND FEATURES

- Reclining back rest

### Armrest

- Adjustable armrest top
- Armrests are prepared for control equipment with cable routing through the arm, seat and center column

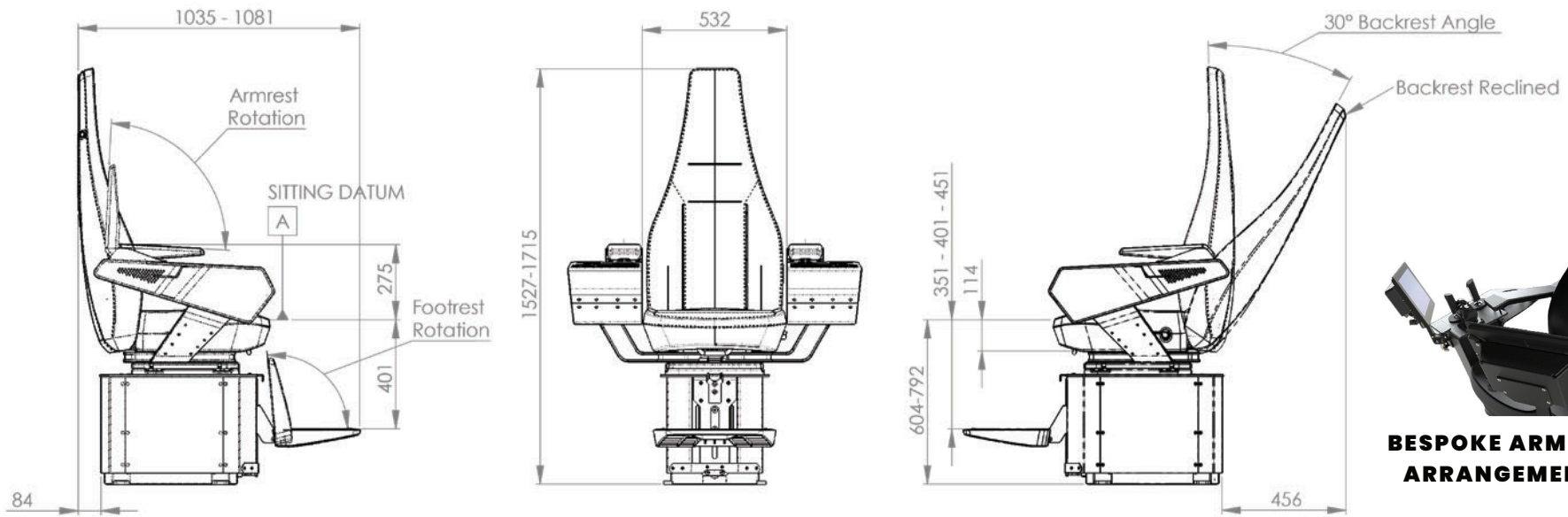
### Column

- Electrical adjustment of sitting height

### Footrest

- Fold up footrest

- Seat slide available
- Concealed and protected cabling
- No welded parts
- Seat rotation
- **24V / 20 Amp**



**BESPOKE ARMREST ARRANGEMENTS**



**SUFFICIENT SPACE FOR CONTROLS**

**OP 50 & OP 60 ARE IDENTICAL, BUT WITH A DEEPER ARMREST ON OP 60.**

Operator chair	Sitting height	Max width	Chair weight	Footrest	HSC
OP 50	630 - 830mm	1082mm	118 kg	x	
OP 60	630 - 830mm	1082mm	122 kg	x	

# S 5 - O P 0 1

**alu**  
Be seated.



A comfortable **office chair** suitable for 24hour operations with multiple ergonomic adjustments and with design expression as our Alutech and OP series.

## DESIGN AND FEATURES

### Armrest

- Armrest rotation
- Armrest adjustment forward and backward
- Armrest adjustment up and down

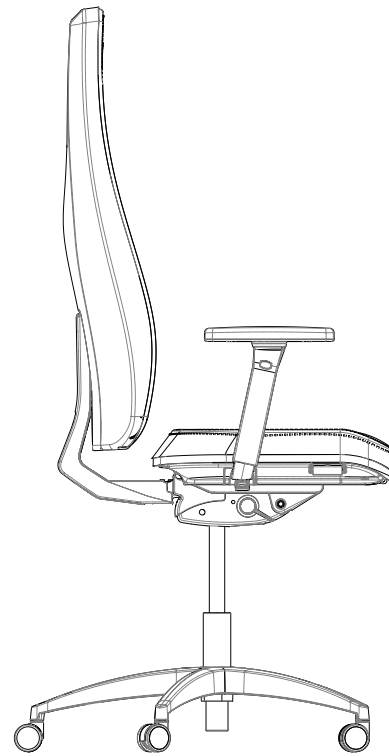
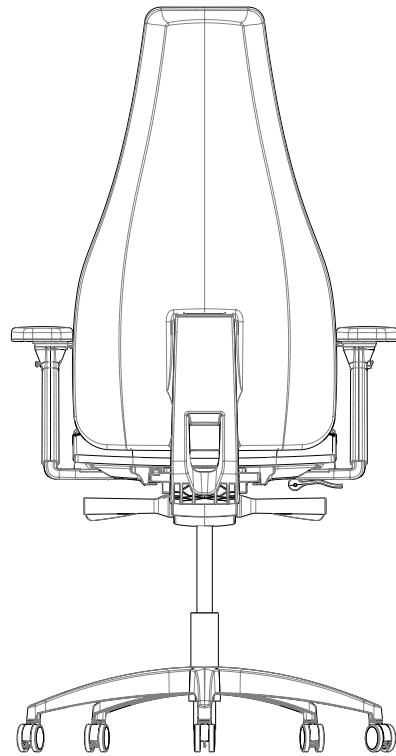
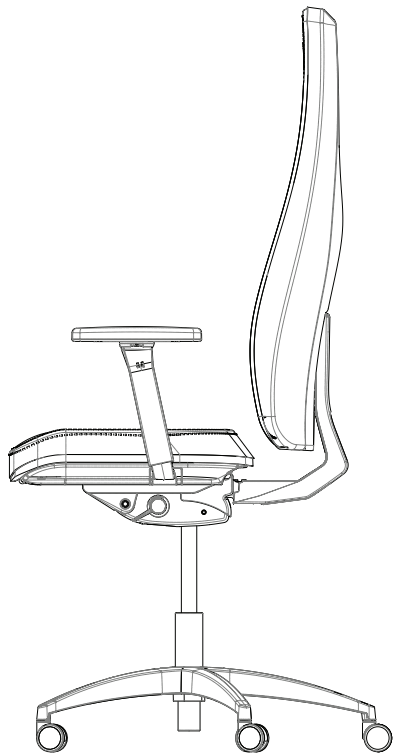
### Column

- Seat adjustment forward backward
- Height adjustment
- Chair rotation
- Neck support integrated
- Seat recline
- Lumbar support adjustment

### S5-OP01 Special Features

- *Hardback cover in high gloss black or grey. Optional colors available.*
- *Combination of genuine leather and Alcantara upholstery.*
- *Stitching with diamond shaped pattern in the sitting area"*





**OFFICE - GLIDERS**



**OFFICE - WHEELS**



**OPTIONAL FOOTREST - OFFICE**

# OP01

**alu**  
Be seated.



■ A comfortable **office chair** suitable for 24hour operations with multiple ergonomic adjustments and with design expression as our Alutech and OP series.

## DESIGN AND FEATURES

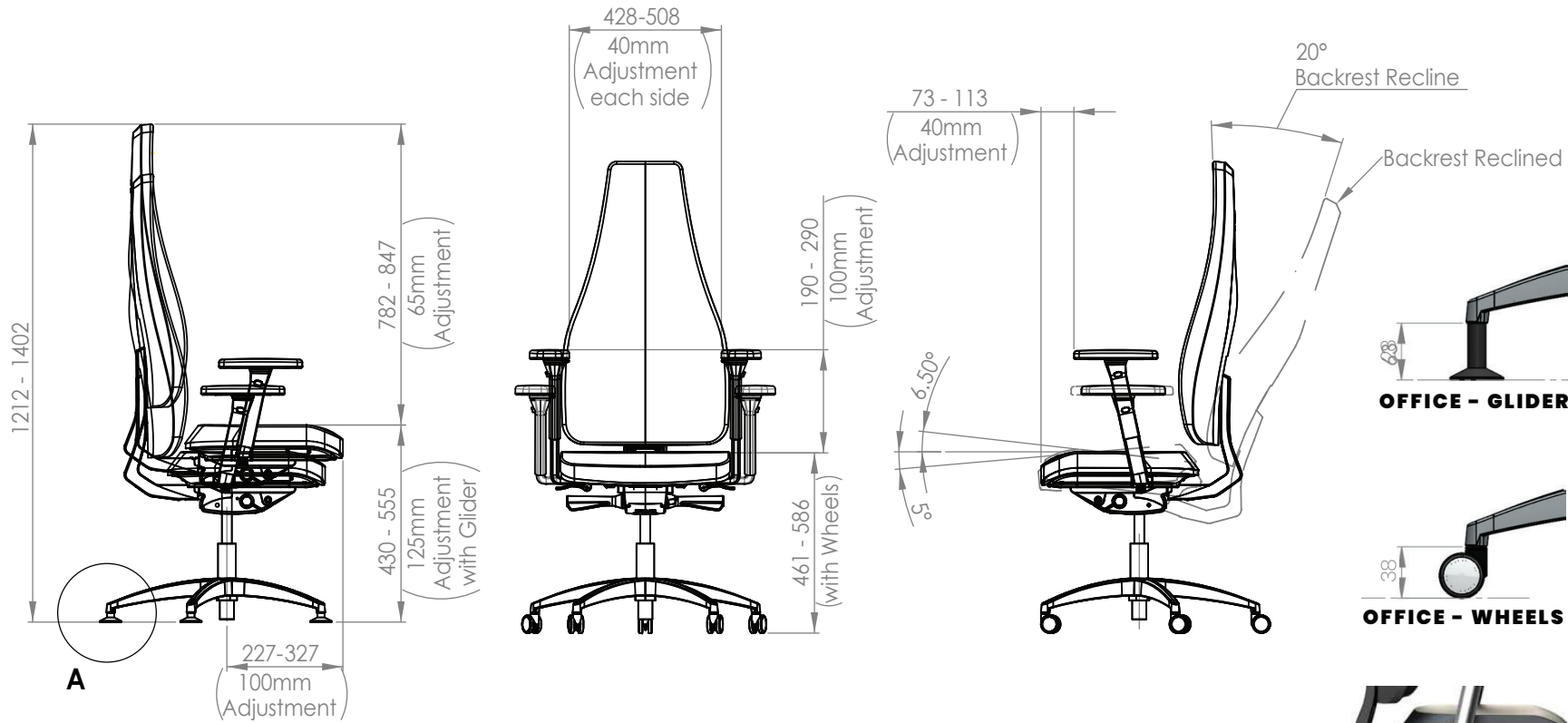
### **Armrest**

- Armrest rotation
- Armrest adjustment forward and backward
- Armrest adjustment up and down

### **Column**

- Seat adjustment forward backward
- Height adjustment
- Chair rotation
- Neck support integrated

- Seat recline
- Lumbar support adjustment



**OPTIONAL FOOTREST - OFFICE**

# 3000 FC



- *shock mitigation designed in 100% carbon. Suitable for Navy, Coast Guard and other vessels operating high speed in all weather conditions.*
- *The seat is designed for maximum protection and gives adequate support for safe and smooth travel.*

## DESIGN AND FEATURES

- Seat constructed from 100% carbon
- Grip handles on both sides
- Seat angle adjustable

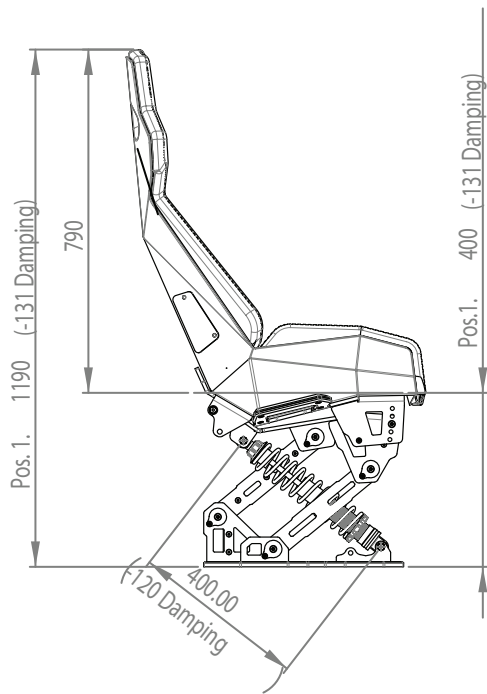
### **Armrest**

- Optional with armrest

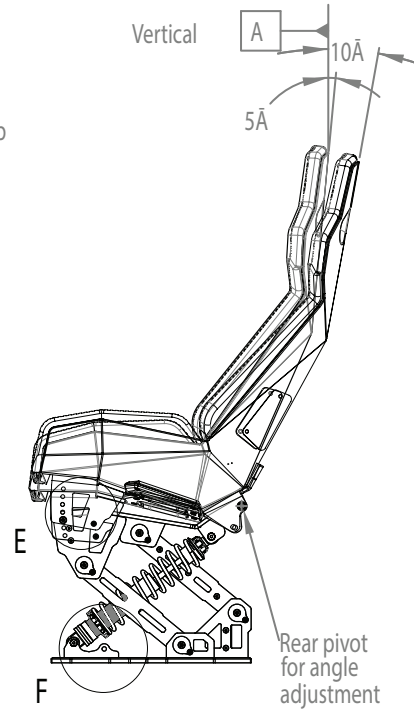
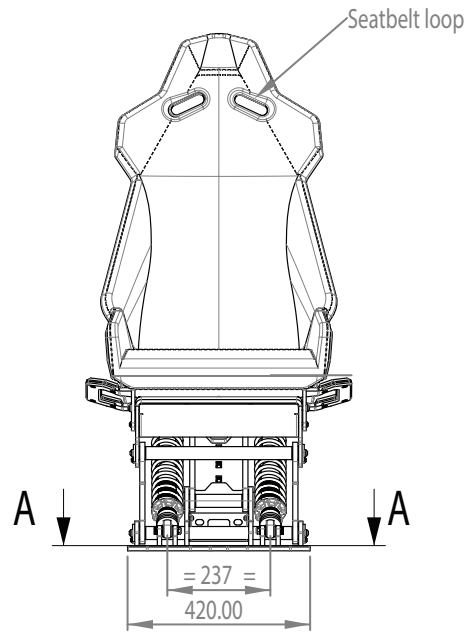
- Optional with armrest attachments for control equipment

### **Column**

- Optional base available
- Mounting base with custom made height available



Pos.1. 400 (-131 Damping)



**FCA (WITH ARMREST)  
OPTIONAL**



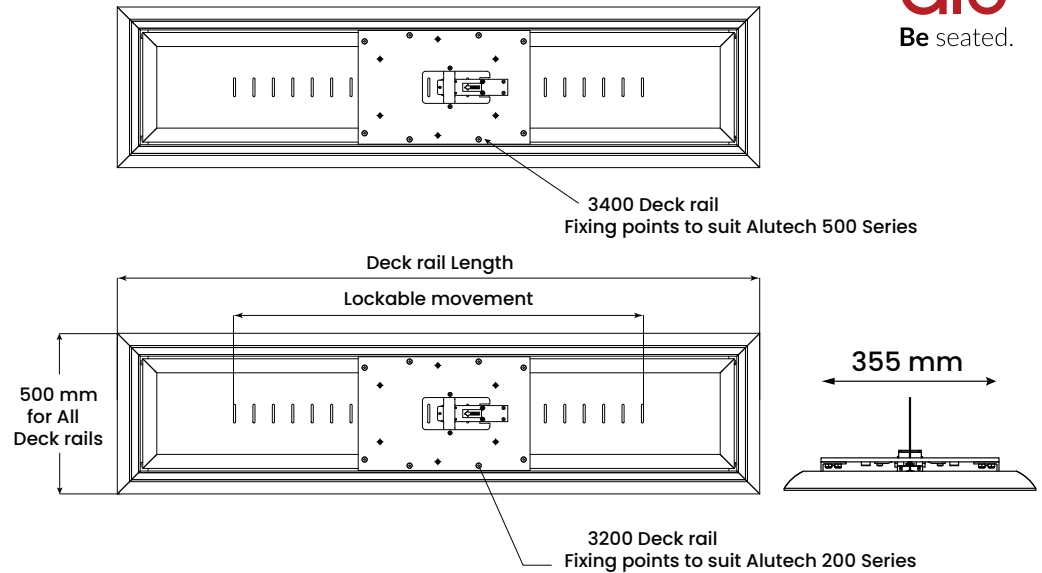
**FCT (WITHOUT SUSPENSION)**



**MOUNTING BASE  
WITH CUSTOM MADE  
HEIGHT**

# ALUTECH 3200/3400 SURFACE MOUNT

## MANUALLY OPERATED DECK RAILS



## DESIGN AND FEATURES

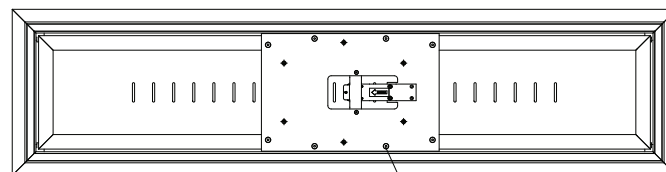
- Simple to install
- Low weight
- Alutech 3200 and 3400 utilises a low friction stainless steel ball-bearing rail system that enables easy movement
- Alutech 3200 and 3400 braking system is controlled from the chair and easily locks the wagon in place

Available in 4 different lengths, or made-to-fit, this deck rail series is surface mounted and designed for use with any of the Alutech 200, 300, 400, 500 or 600 chair types. Available in required lengths.

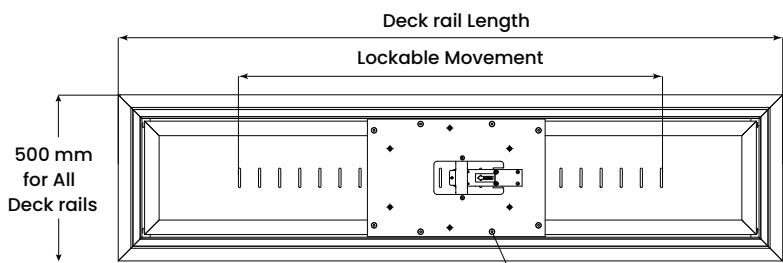
Deck rail for 200 to 600 Chair Series	Deck rail Length	Maximum Deck rail Height (With / Without wagon)	Maximum Movement of Wagon	Deck rail Weight	HSC Code
Alutech 3200 / 3400	1500 mm	65 mm / 38 mm	815 mm	27 kg	12 g
Alutech 3205 / 3405	2000 mm	65 mm / 38 mm	1315 mm	33.5 kg	12 g
Alutech 3210 / 3410	2500 mm	65 mm / 38 mm	1815 mm	40 kg	12 g
Alutech 3215 / 3415	3000 mm	65 mm / 38 mm	2315 mm	47 kg	12 g
Alutech 32XX / 34XX	on request		TBA	TBA	12 g

# ALUTECH 3300/3500 FLUSH MOUNT

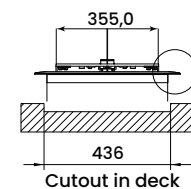
## MANUALLY OPERATED DECK RAILS



3500 Deck rail  
Fixing points to suit Alutech 500 Series



3300 Deck rail  
Fixing points to suit Alutech 200 Series



## DESIGN AND FEATURES

- Simple to install
- Low weight
- Alutech 3200 and 3400 utilises a low friction stainless steel ball-bearing rail system that enables easy movement.
- Alutech 3200 and 3400 braking system is controlled from the chair and easily locks the wagon in place

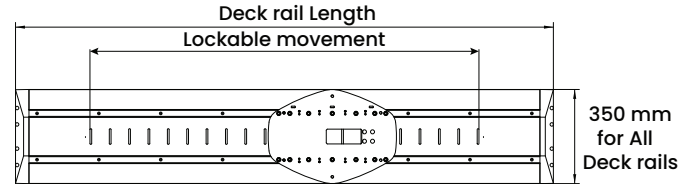
Available in 4 different lengths, or made-to-fit, this deck rail series is surface mounted and designed for use with any of the Alutech 200, 300, 400, 500 or 600 chair types. Available in required lengths.

Deck rail for 200 to 600	Deck rail Length	Maximum Deck rail Height	Maximum Movement of Wagon	Deck rail Weight	HSC Code
Alutech 3300 / 3500	1500 mm	35 mm / 8 mm	815 mm	27 kg	12 g
Alutech 3305 / 3505	2000 mm	35 mm / 8 mm	1315 mm	33.5 kg	12 g
Alutech 3310 / 3510	2500 mm	35 mm / 8 mm	1815 mm	40 kg	12 g
Alutech 3315 / 3515	3000 mm	35 mm / 8 mm	2315 mm	47 kg	12 g
Alutech 33xx / 35xx	on request	35 mm / 8 mm	TBA	TBA	12 g

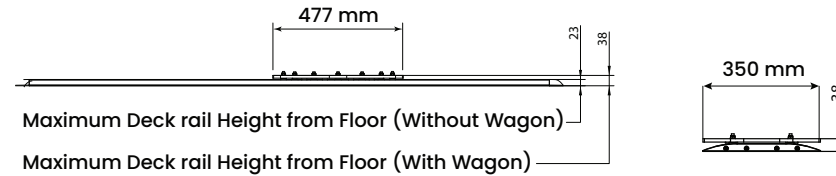


# ALUTECH 4000 SURFACE MOUNT

## MANUALLY OPERATED DECK RAILS



Please Note: Fastening holes are indicative only and correct positions will be supplied on AC drawings



## DESIGN AND FEATURES

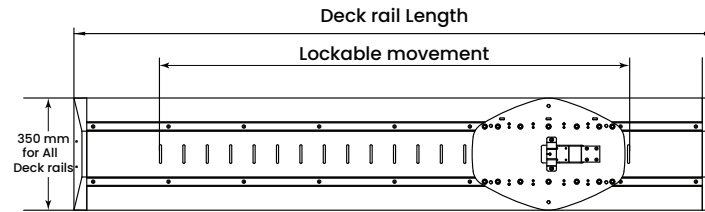
- Simple to install
- Low weight
- Alutech 4000 utilises a low friction stainless steel ball-bearing rail system that enables easy movement.
- Alutech 4000 braking system is controlled from the chair and easily locks the wagon in place

Available in 4 different lengths as standard, or made-to-fit, these deck rail series are surface mounted and designed for use with any of the Alutech 300, 400, 500 or 600 chair types.

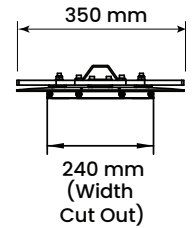
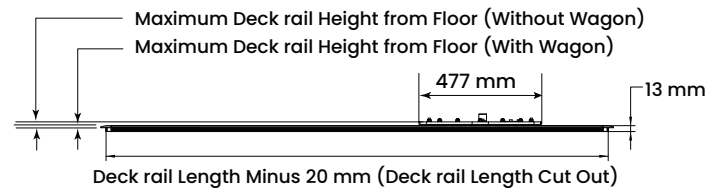
Deck rail for 300 to 600 Chair Series	Deck rail Length	Maximum Deck rail Height (With / Without wagon)	Maximum Movement of Wagon	Deck rail Weight
Alutech 4000	1000 mm	38 mm / 23 mm	460 mm	18 kg
Alutech 4005	1500 mm	38 mm / 23 mm	960 mm	21.5 kg
Alutech 4010	2000 mm	38 mm / 23 mm	1460 mm	25 kg
Alutech 4015	2500 mm	38 mm / 23 mm	1960 mm	28.5 kg
Alutech 4020	3000 mm	38 mm / 23 mm	2460 mm	32 g

# ALUTECH 4100 FLUSH MOUNT

## MANUALLY OPERATED DECK RAILS



Please Note: Fastening holes are indicative only and correct positions will be supplied on AC drawings



## DESIGN AND FEATURES

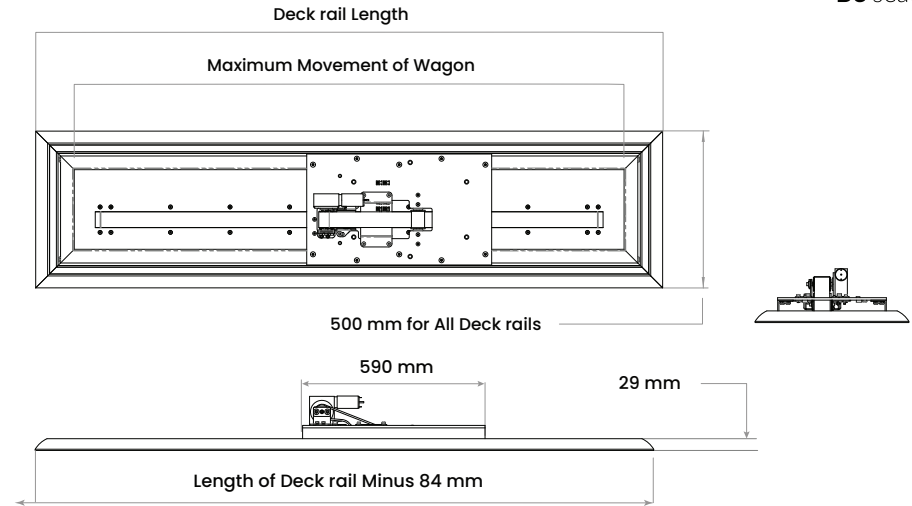
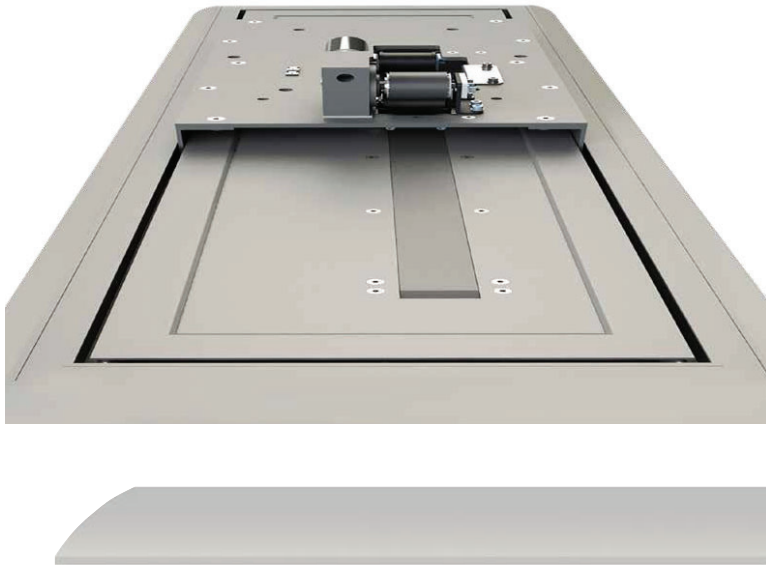
- Simple to install
- Low weight
- Alutech 4100 utilises a low friction stainless steel ball-bearing rail system that enables easy movement.
- Alutech 4100 braking system is controlled from the chair and easily locks the wagon in place.

Available in 4 different lengths as standard, or made-to-fit, these deck rail series are flush mounted and designed for use with any of the Alutech 300, 400, 500 or 600 chair types.

Deck rail for 300 to 600 Chair Series	Deck rail Length	Maximum Deck rail Height (With / Without wagon)	Maximum Movement of Wagon	Deck rail Weight
Alutech 4100	1000 mm	23 mm / 8 mm	460 mm	18 kg
Alutech 4105	1500 mm	23 mm / 8 mm	960 mm	21.5 kg
Alutech 4110	2000 mm	23 mm / 8 mm	1460 mm	25 kg
Alutech 4115	2500 mm	23 mm / 8 mm	1960 mm	28.5 kg
Alutech 4120	3000 mm	23 mm / 8 mm	2460 mm	32 kg

# ALUTECH 3900 SURFACE MOUNT

## ELECTRIC OPERATED DECK RAILS



Available in 4 different lengths as standard, or made-to-fit, these deck rail series are surface mounted and designed for use with any of the Alutech 300, 400, 500 or 600 chair types.

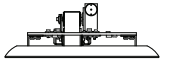
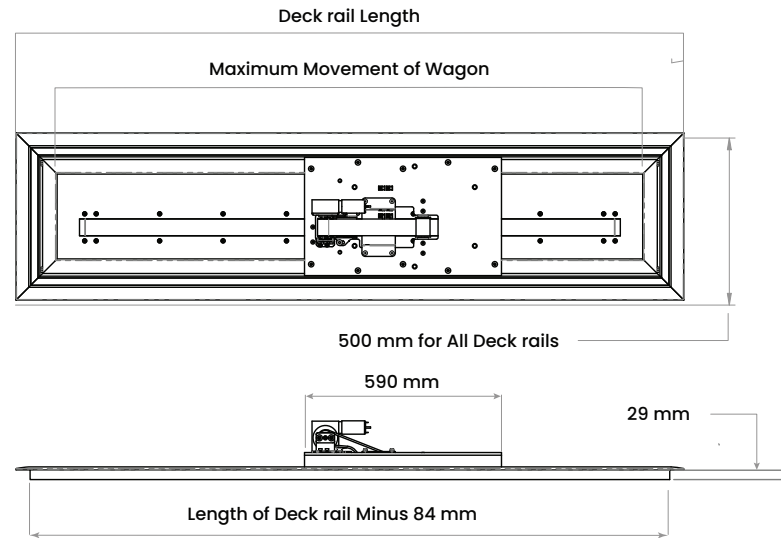
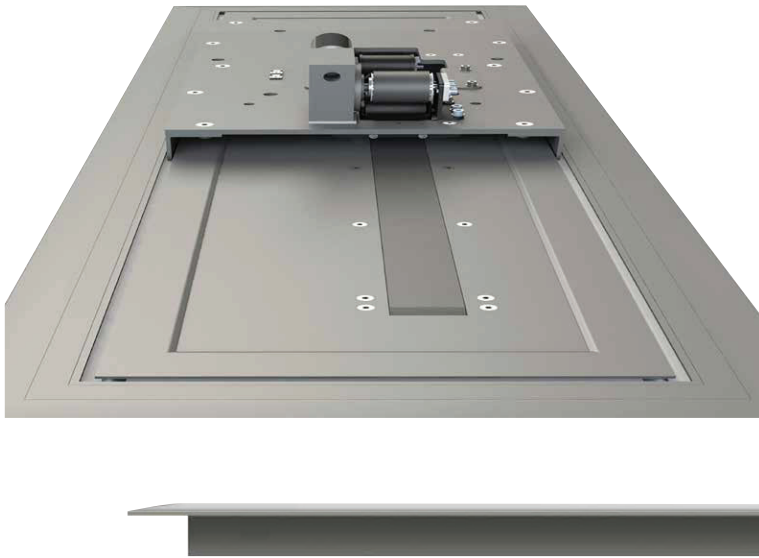
## DESIGN AND FEATURES

- Surface mounted
- Simple to install
- Low weight
- Note that this deck rail does not have arrangement for cable routing!
- **24V / 20 Amp**

Deck rail for 300 to 600 Chair Series	Deck rail Length	Maximum Deck rail Height (With / Without wagon)	Maximum Movement of Wagon	Electrical Operated Voltage 24 V / 20 AMP (minimum)	Deck rail Weight	HSC Code
Alutech 3900	1500 mm	65 mm / 38 mm	767 mm	Yes	37 kg	12 g
Alutech 3905	2000 mm	65 mm / 38 mm	1267 mm	Yes	43 kg	12 g
Alutech 3910	2500 mm	65 mm / 38 mm	1767 mm	Yes	50 kg	12 g
Alutech 3915	3000 mm	65 mm / 38 mm	2267 mm	Yes	57 kg	12 g

# ALUTECH 3950 FLUSH MOUNT

## ELECTRIC OPERATED DECK RAILS



## DESIGN AND FEATURES

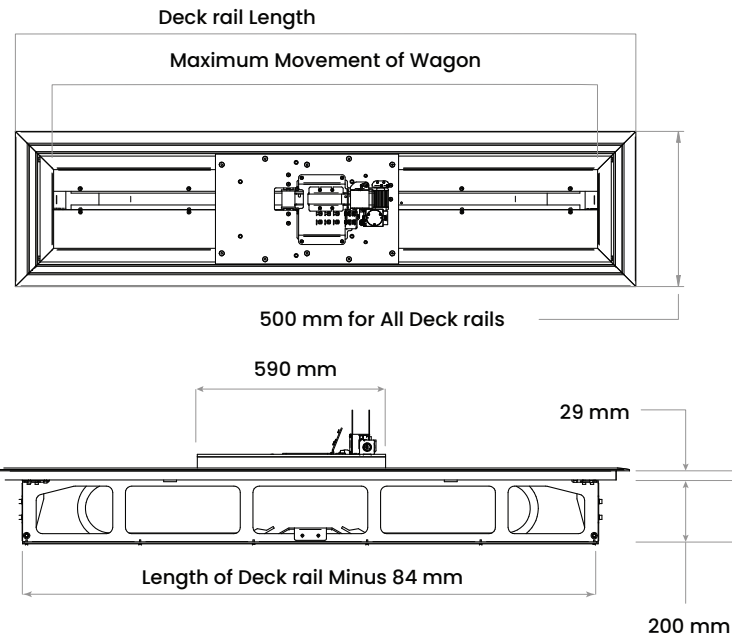
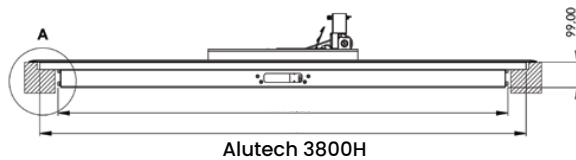
- Flush mounted
- Simple to install
- Low weight
- Note that this deck rail does not have arrangement for cable routing!
- **24V / 20 Amp**

Available in 4 different lengths as standard, or made-to-fit, these deck rail series are flush mounted and designed for use with any of the Alutech 300, 400, 500 or 600 chair types

Deck rail for 300 to 600 Chair Series	Deck rail Length	Maximum Deck rail Height (With / Without wagon)	Maximum Movement of Wagon	Electrical Operated Voltage 24 v / 20 AMP (minimum)	Deck rail Weight	HSC Code
Alutech 3950	1500 mm	35 mm / 8 mm	767 mm	Yes	37 kg	12 g
Alutech 3955	2000 mm	35 mm / 8 mm	1267 mm	Yes	43.5 kg	12 g
Alutech 3960	2500 mm	35 mm / 8 mm	1767 mm	Yes	50 kg	12 g
Alutech 3965	3000 mm	35 mm / 8 mm	2267 mm	Yes	57 kg	12 g

# ALUTECH 3800/3800-H FLUSH MOUNT

## ELECTRIC OPERATED DECK RAILS



## DESIGN AND FEATURES

- Electrically driven movement
- push button control
- Cable routing from the chair to flexible cable tray in the deck rail for optimal protection of cables
- Low friction stainless steel rail system for easy and reliable movement of the chair and operator
- Chair stops automatically if it encounters an obstacle
- **24V / 20 Amp**

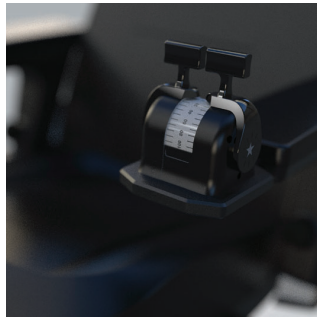
■ This electrical operated deck rail is flush mounted and suitable in connection with Alutech 300, 400, 500, 600 and OPL series.

Deck rail	Deck rail Length	Maximum Deck rail Height (With / Without wagon)	Maximum Movement of Wagon	Electric Operated Voltage 24 V / 20 AMP (minimum)	Deck rail Weight
Alutech 3800	1500 mm	65 mm / 38 mm	767 mm	Yes	40 kg
Alutech 3805	2000 mm	65 mm / 38 mm	1267 mm	Yes	48 kg
Alutech 3810	2500 mm	65 mm / 38 mm	1767 mm	Yes	57 kg
Alutech 3815	3000 mm	65 mm / 38 mm	2267 mm	Yes	65 kg

# ACCESSORIES



- *We understand that not all seating requirements are exactly the same. Therefore our accessories include, but are not limited to, cup holders, joystick holders, safety belts, flip-out tables, custom branding, intercoms with integrated foot pedals, custom built consoles, variety of seat covers, etc.*



# BESPOKE SOLUTIONS

*Not all seating requirements are exactly the same; hence Alu Design offers a wide variety of custom built products. We pride ourselves in working closely with our clients to produce unique and innovative design solutions that can fulfill the most complex of user needs.*



**NORWEGIAN  
ELECTRIC SYSTEMS AS**

**"RAVEN INS"**



**OCEANEERING**

**"COMMANDER"**



**KONGSBERG MARITIME**

**"K-MASTER"**



# BESPOKE SOLUTIONS

*All these internationally renowned companies use products developed by Alu Design.*



**VARD GROUP AS**

*"SeaQ"*



**KONGSBERG MARITIME**

*"UNIFIED BRIDGE"*



**MH WIRTH**

*"MH OC 300"*

*Alongside its high-tech operator and pilot chairs for the marine and offshore industry, Alu Design also creates advanced seats for simulators for training purposes.*

ALU DESIGN IN MOVIES

alu  
Be seated.



**STAR TREK**  
BEYOND



**GODZILLA**  
KING OF THE MONSTERS



# ALU DESIGN IN MOVIES

alu  
Be seated.



**TRANSFORMERS**  
AGE OF EXTINCTION

RYAN REYNOLDS    SAMUEL L. JACKSON    SALMA HAYEK    WITH ANTONIO BANDERAS    AND MORGAN FREEMAN

A FILM BY PATRICK HUGHES

# HITMAN'S WIFE'S BODYGUARD



**DESIGNED FOR TOMORROW – PERFECT FOR TODAY**

Our very own OP series, featured in the hit Hollywood movie "Hitman's Wife's Bodyguard" starring Salma Hayek, Ryan Reynolds, Samuel L. Jackson, Antonio and Morgan Freeman.

ALU jumped at the opportunity of imprinting the big screen with cutting-edge design. Onboard the super-yacht, amongst the most intense scenes, the OP chair adds composure and class.

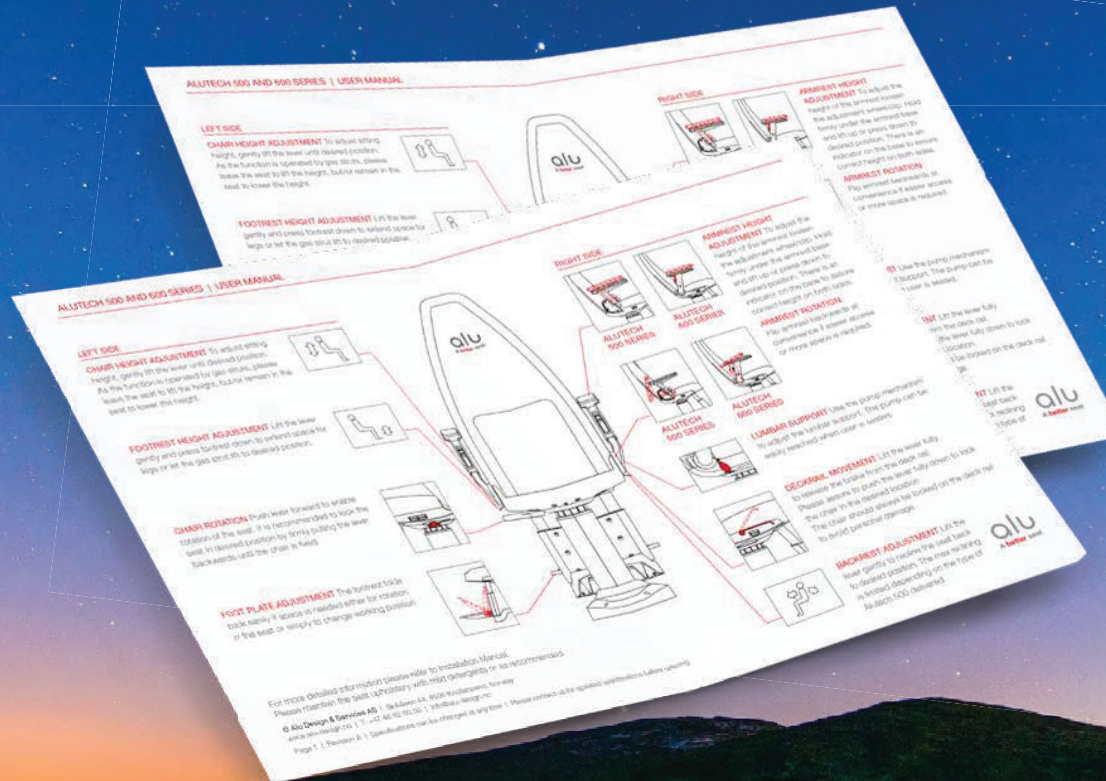
*You cannot miss the OP series chairs' futuristic play.*





# USING THE CHAIR

alu



Installing and using...

Installation Manuals

Each chair is delivered with an installation and a user manual to assure correct installation and use of the product. It is important that the instructions are followed for both the comfort and safety of the user.

For detailed descriptions on how to install our chairs and deck rails, please visit our website at [alu-design.no](http://alu-design.no)





[alu-design.no](http://alu-design.no)

Please use the QR code to connect to our website.

General  
Contact

[info@alu-design.no](mailto:info@alu-design.no)  
[alu-design.no/contact](http://alu-design.no/contact)

Agents

Our company is represented around the world by professionals. Please see contact details on our web for more information.

References

Our products are found onboard all types of marine vessels worldwide.

Check the long list of references on our website!

## TRUSTED TO PERFORM

Alu Design is a recognized leader in the global marketplace, providing high specification and quality products to all segments of the dynamic maritime industry. We cater for the needs of individual yards and owners, satisfying individual demands with a uniform commitment to design, manufacturing and long-term performance standards.



**In-Mar Systems**  
**In-Mar Solutions**

Phone: (225) 644-7063

Fax: (225) 644-7046

Web: [www.inmarsystems.com](http://www.inmarsystems.com)

**alu**  
Be seated.



S. E. & O.

BECAUSE OF CONTINUED PRODUCT IMPROVEMENT, WE RESERVE THE RIGHT TO MAKE CHANGES. SPECIFICATION CAN BE CHANGED AT ANY TIME. PLEASE CONTACT US FOR UPDATED SPECIFICATIONS BEFORE ORDERING.