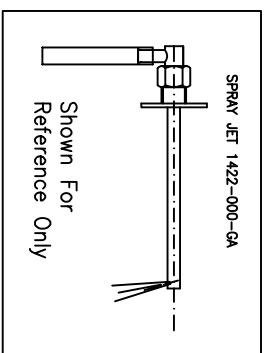


Shown For Reference Only

SPRAY JET 1422-000-GA

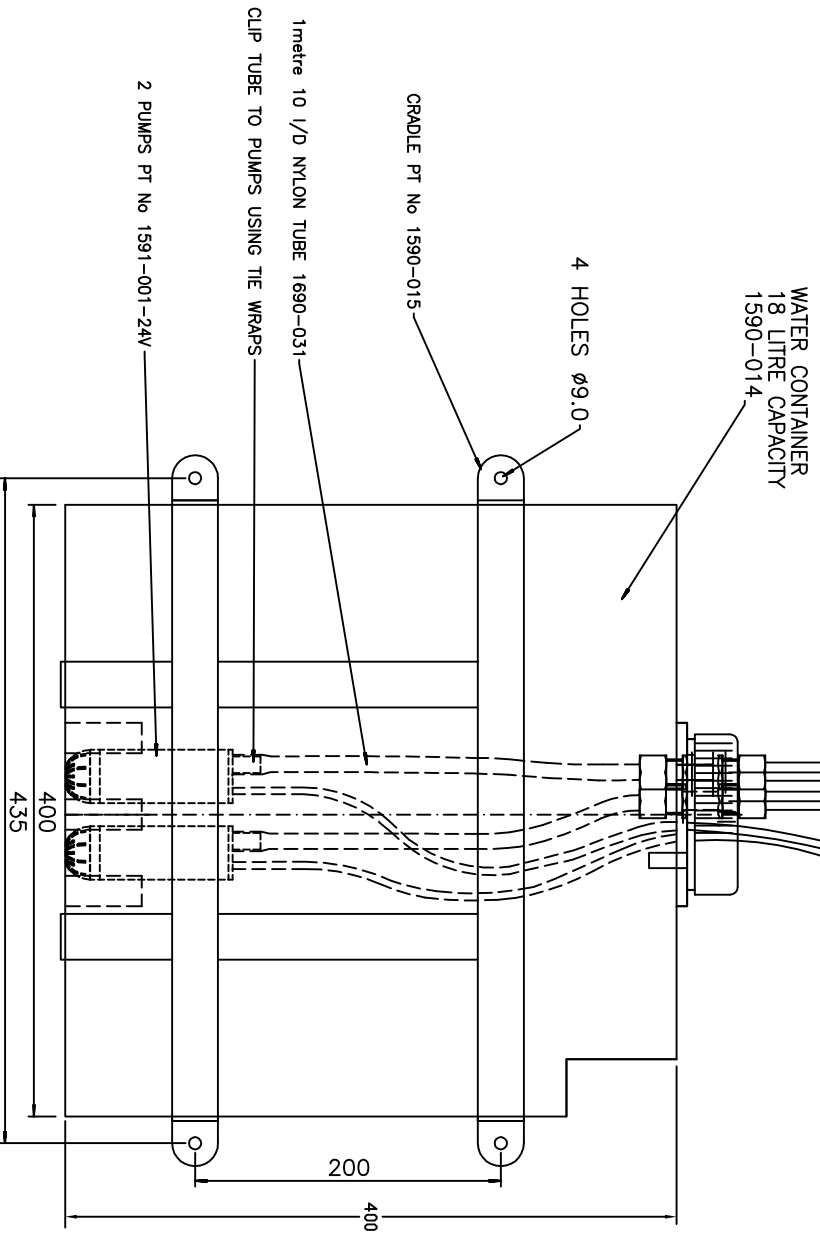
100mm OF TUBE 1590-006
FIT TO JET TO FIT
CUSTOMER TO FIT
OVER 8mm O/D TUBE
ON SITE.

10metres NYLON TUBING 1590-018



Shown For Reference Only

SPRAY JET 1422-000-GA



CONTROLLED

27/08/2009 10:37 AM

SEE PARTS LIST .1591-182-24V

CAD FILENAME + DIRECTORY M\ 1591 \ 1591-183-24V		MDD STATUS		USED ON	
3rd ANGLE PRD.					
TOLERANCES UNLESS OTHERWISE STATED					
DECIMAL DIMS. TO 2 PLACES ± 0.1mm		3		09.251	
DECIMAL DIMS. TO 1 PLACE ± 0.25mm		2		564	
ANGLES ± 1°		ISS. NC		DATE	
		1		1192	
		ISS. DIN		DATE	
		1		10.12.97	
MATERIAL:-		ISS. DIN		DATE	
FINISH:-		ISS. DIN		DATE	
SCALE:-1:2.5		DRAWN:- AGP		CHKD:-	
		CHANGED:-			
		DRAWING No. 1591-182-24V			

THE COPYRIGHT OF THIS DRAWING IS VESTED IN WYNN MARINE LTD AND MUST NOT BE REPRODUCED WITHOUT WRITTEN PERMISSION OF THE COMPANY OR USED FOR ANY PURPOSE OTHER THAN FOR WHICH IT HAS BEEN SUPPLIED.

Wynn MARINE LIMITED
CHELTENHAM ENGLAND

TITLE:- WASH BOTTLE ASSEMBLY WITH 2 PUMPS & SPRAY JETS